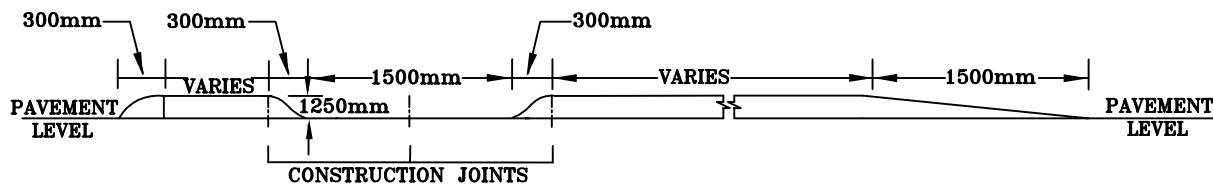
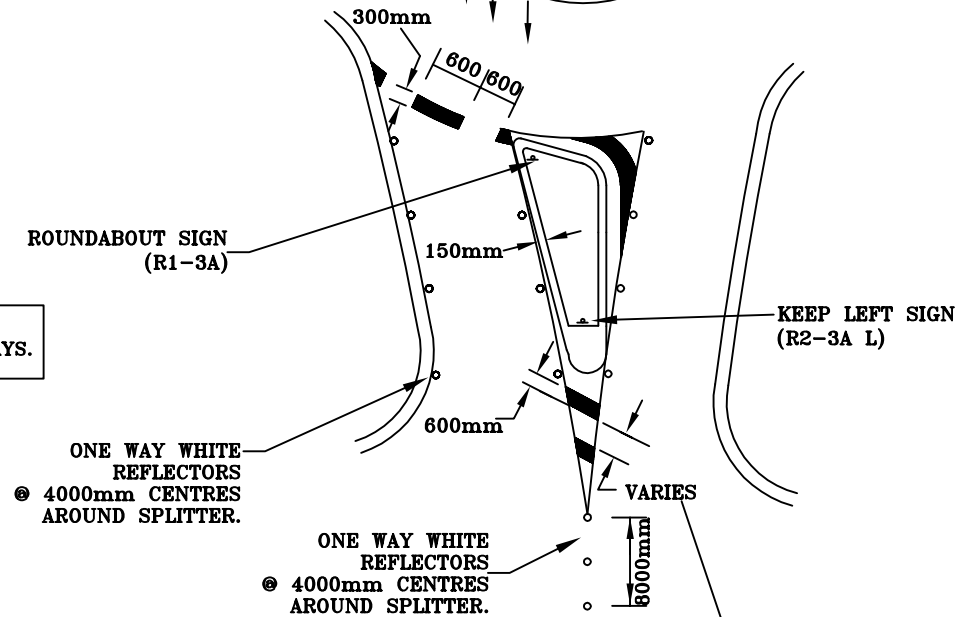
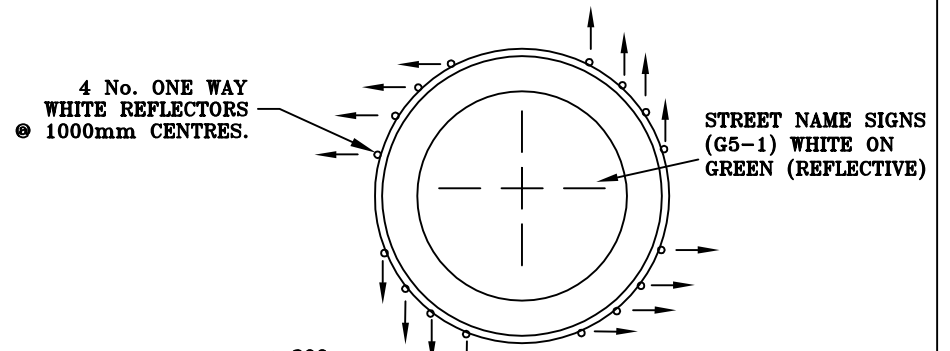


NOTE:
PLACE ALL RRPM'S CLEAR OF ALL WALKWAYS.



SPLITTER ISLAND



LINEMARKING AND SIGNING
TYPICAL DETAIL FOR EACH LEG.

CITY OF BALLARAT

1	DIMENSION FOR LAYBACK	11/98	Approved by:
2	NOTES	18/01/99	
3	TITLE PANEL NOTES	02/07/99	
4	PROFILE DELETED		
No.	AMENDMENTS	DATE	Date:

ROUNDABOUT DETAILS
SIGNS, PAVEMENT MARKINGS
AND R.R.P.M'S



SCALE:
NOT TO SCALE
SHEET 1 OF 1
DRAWING NO:
SD-T1