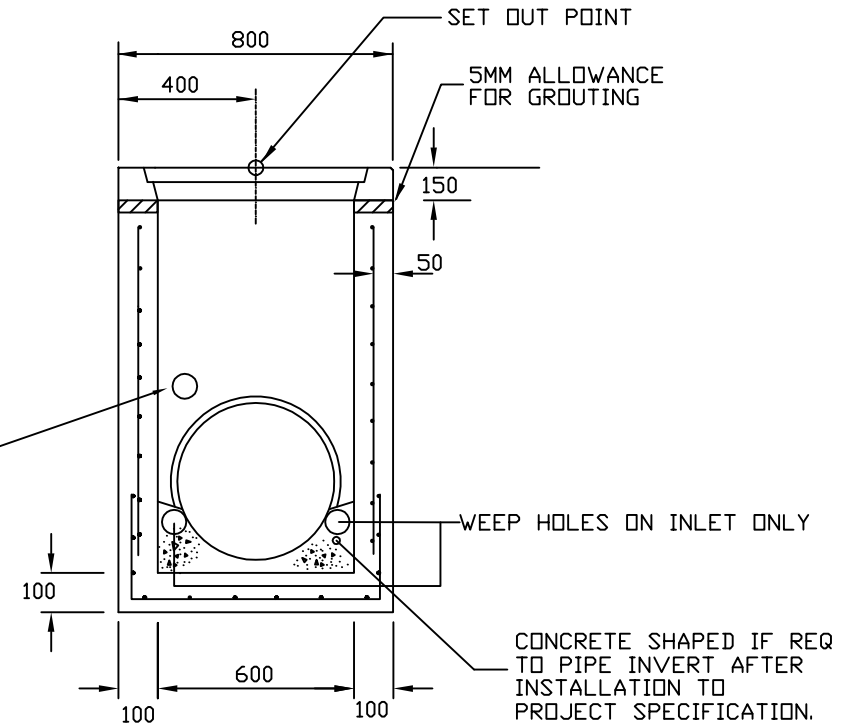


FORM WEEP HOLES TO ACCOMMODATE PAVEMENT DRAINS WHERE SHOWN ON DRAWINGS



SECTION B-B

NOTES:

1. HAUNCHING MAY BE REQUIRED FOR PIPES OVER 450 DIA, REFER TO PIT SCHEDULE FOR SIZES OF SPECIFIC PITS. PITS WITH HAUNCHING IN TWO DIRECTIONS.
2. REINFORCEMENT AND CONCRETE PLACEMENT AND INSTALLATION COMPLY WITH VICROADS 610, THE RELEVANT AUSTRALIAN STANDARD SPECIFICATIONS AND STRUCTURAL DESIGNS.

DEPTH	REINFORCEMENT	INTERNAL DIMENSION (mm)	ADDITIONAL INFORMATION
0-1200	F72	900 X 600	-
1200-2400	F92	900 X 900	STEP IRONS
2400-UP	F1218	900 X 900	LADDER

# CITY OF BALLARAT

No.	AMENDMENTS	Date:
1	SCALE	10/11/98
2	NOTES	18/01/99
3	WEEP HOLE ADDED & NOTES	25/02/04

Approved by:

Date:

## PRE-CAST JUNCTION PIT CONCRETE COVER



SCALE:  
NOT TO SCALE

SHEET 1 OF 2

DRAWING NO:  
SD-P10-1