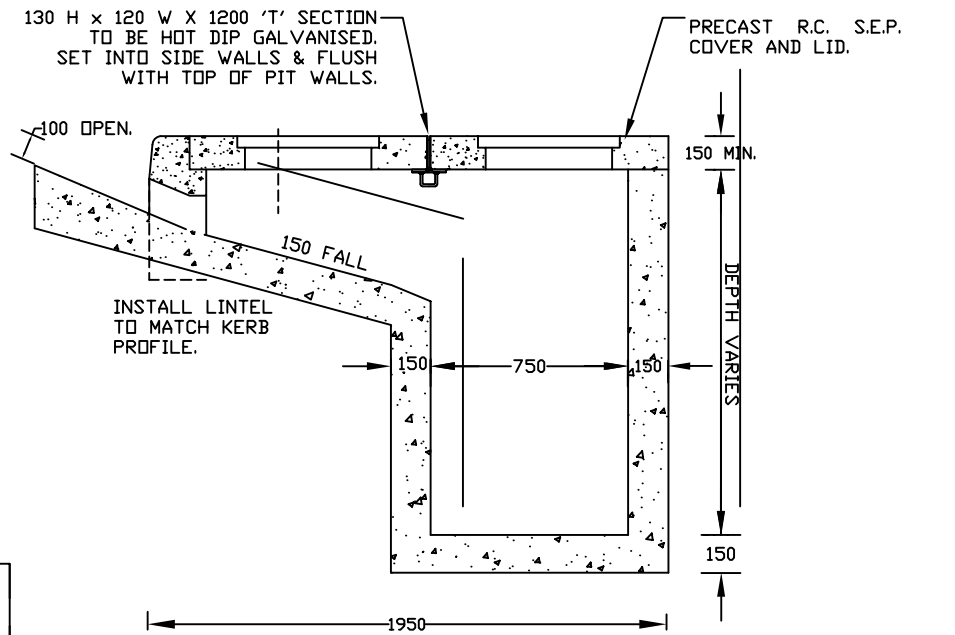
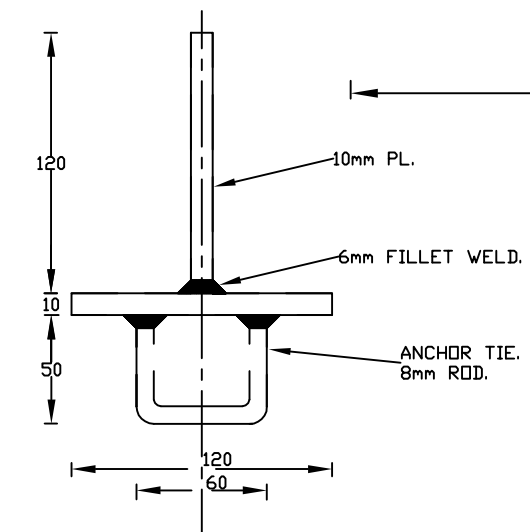


PLAN



SECTION AA CONCRETE TO BE 25MPa



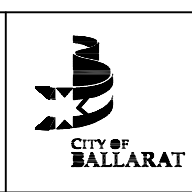
FABRICATED 'T' SECTION
CITY OF BALLARAT

1.	NOTES	18/01/99
No.	AMENDMENTS	DATE

Approved by:

Date:

SIDE ENTRY PIT
WITH FLUME



SCALE:
NOT TO SCALE
SHEET 1 OF 1
DRAWING NO:
SD-P8