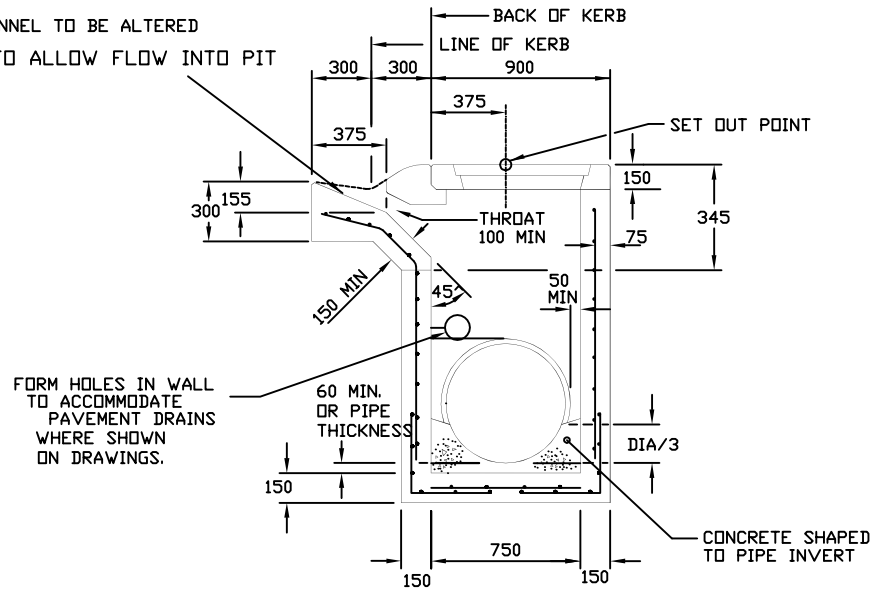


PLAN
(SM OR B TYPE KERB)

DEPTH	REINFORCEMENT	INTERNAL DIMENSION (mm)	ADDITIONAL INFORMATION
0-1200	-	900 X 750	-
1200-2400	F92	900 X 900	STEP IRONS
2400-UP	F1218	900 X 900	LADDER

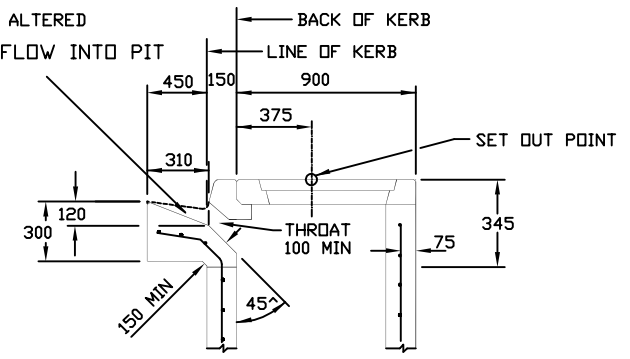
- NOTES:
1. HAUNCHING MAY BE REQUIRED FOR PIPES OVER 450 DIA, REFER TO PIT SCHEDULE FOR SIZES OF SPECIFIC PITS. PITS WITH HAUNCHING IN TWO DIRECTIONS REQUIRE SPECIAL STRUCTURAL DESIGN.
 2. PIT REINFORCEMENT - F92 FABRIC. FABRIC IN SHAFT SHALL HAVE THE MAIN BARS POSITIONED HORIZONTALLY. LAPS TO BE 300 MIN. CLEAR COVER TO BE 50 MIN. CORNER RETURN REINFORCEMENT MAY BE FABRIC OR EQUIVALENT BARS. BARS GRADE 400Y TO AS 1302/1991. FABRICS TO AS 1304/1991. CONCRETE GRADE TO BE 25 MPa.

TRAY OF CHANNEL TO BE ALTERED AS SHOWN TO ALLOW FLOW INTO PIT



SECTION B-B
PIT TYPE SM
(SM TYPE KERB)

TRAY OF CHANNEL TO BE ALTERED AS SHOWN TO ALLOW FLOW INTO PIT



SECTION B-B
PIT TYPE B
(B TYPE KERB)

CITY OF BALLARAT

ALL DIMENSIONS ARE IN MILLIMETRES	
No.	AMENDMENTS

Approved by:

Date:

INSITU SIDE ENTRY PIT
CONCRETE COVER-900mm INLET



SCALE:
NOT TO SCALE
SHEET 2 OF 2
DRAWING NO:
SD-P1-2