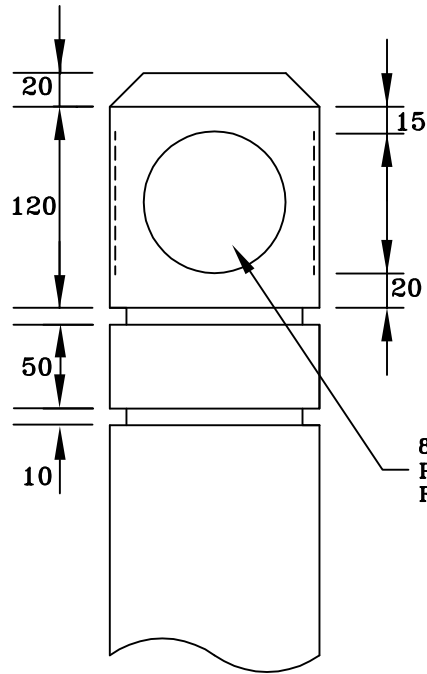


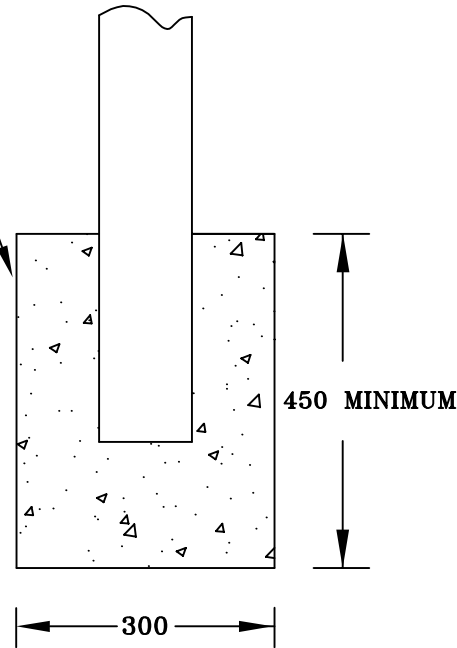
PLAN.



DETAIL 1

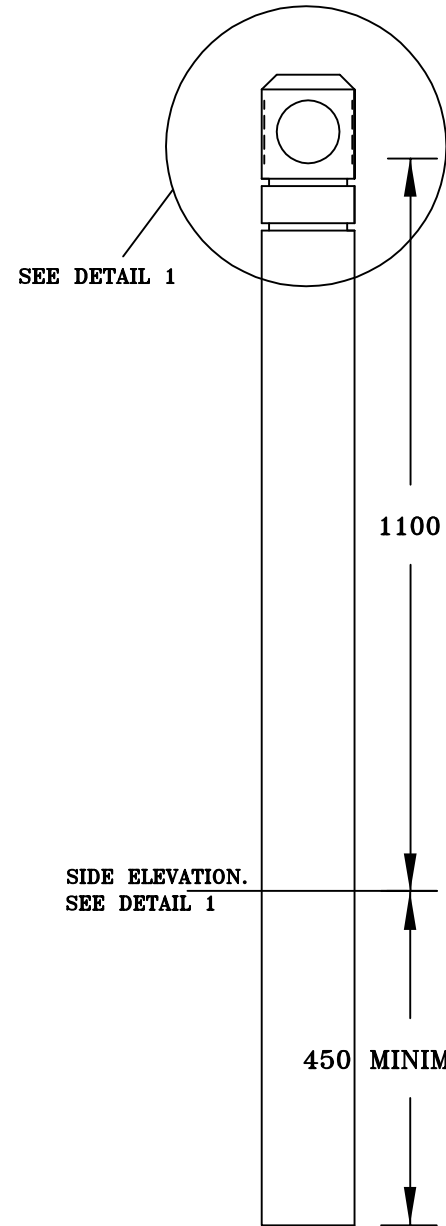
85mm DIAMETER
PROVIDE 5mm REBATE FOR
REFLECTORS AS REQUIRED.

20 MPa CONCRETE



FOOTING TO BE 300 X 300 X 450 DEEP

FOOTING DETAIL



SIDE ELEVATION.
SEE DETAIL 1

NOTE:
COLOR SCHEME AS REQUIRED

CITY OF BALLARAT

No.	AMENDMENTS	DATE
1	move dimensions on plan view	jan 05

Approved by:

Date:

TIMBER BOLLARD DETAIL (REDGUM)



SCALE:
NOT TO SCALE
SHEET 1 OF 1
DRAWING NO:
SD-S2