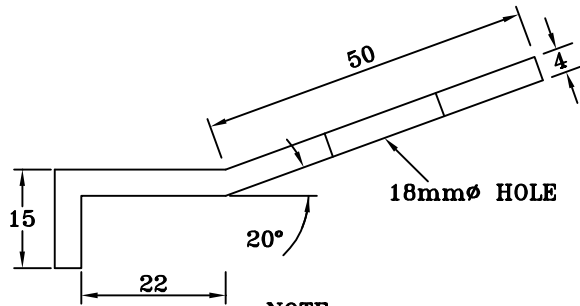
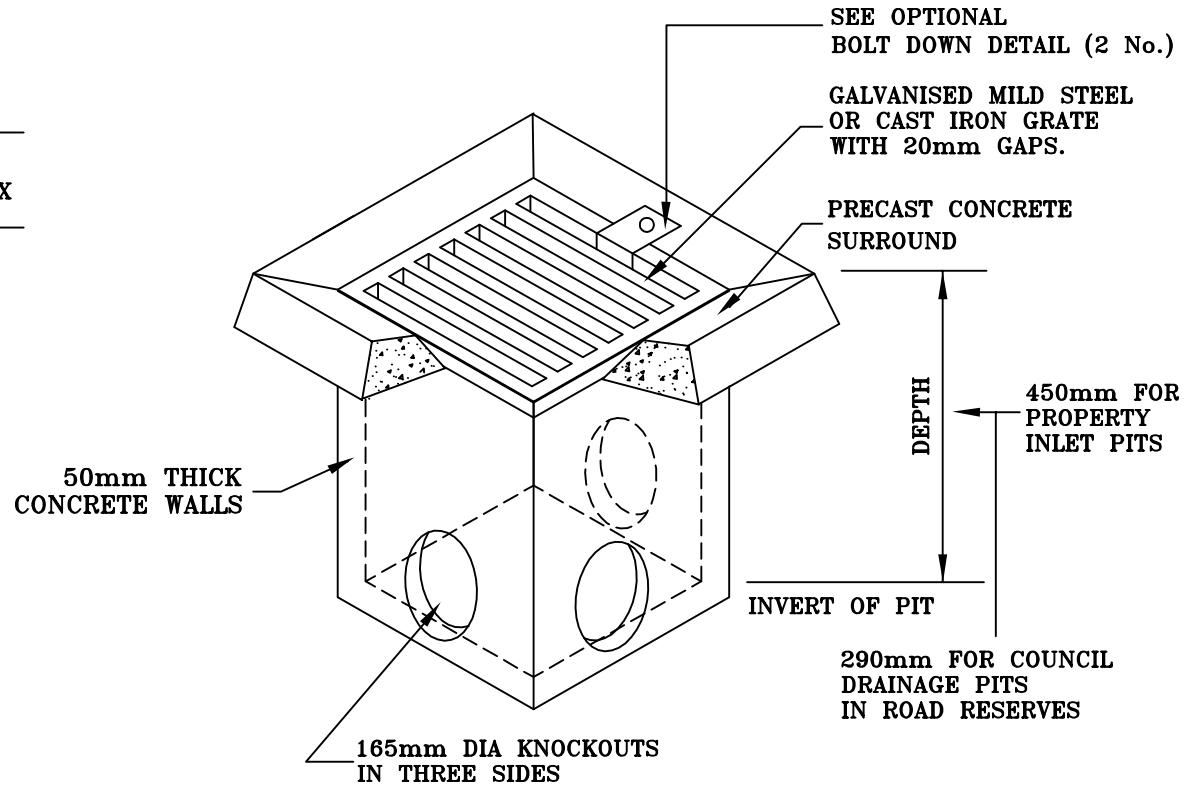


SECTION



NOTE:
 IF GRATE IS REQUIRED TO BE BOLTED DOWN, TWO GALVANISED BRACKETS (SEE ABOVE) ARE TO BE PLACED INTO A GAL. SURROUND WITH CAST IN SITU 15mm ϕ FEMALE THREADS.


OPTIONAL BOLT DOWN DETAIL



R.C. FRAME AND INSERT

NOTE:
 - PVC OR OTHER APPROVED MATERIAL MAY BE USED
 - ALL MEASUREMENTS ARE IN MILLIMETRES

CITY OF BALLARAT

1	ADDED OPTIONAL BOLT DOWN DETAIL & DIMENSIONS.	19/01/99	Approved by:-	PRECAST DRAINAGE PIT 300mm x 300mm		SCALE: NOT TO SCALE
						SHEET 1 OF 1
						DRAWING NO: SD-P5
No.	AMENDMENTS	DATE	Date:			