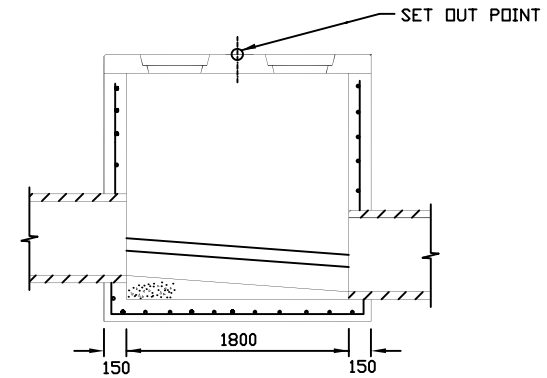
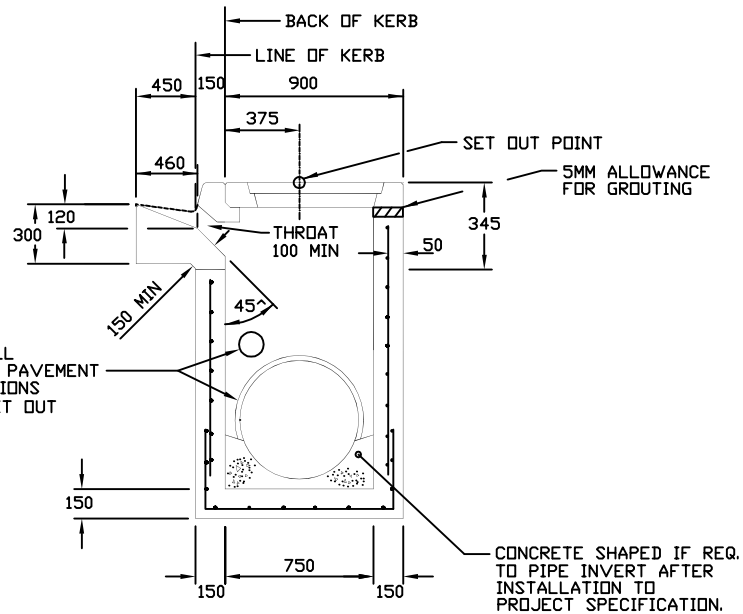


PLAN



SECTION A-A



SECTION B-B

DEPTH	REINFORCEMENT	INTERNAL DIMENSION (mm)	ADDITIONAL INFORMATION
0-1200	F72	1800 X 750	-
1200-2400	F92	1800 X 900	STEP IRONS
2400-UP	F1218	1800 X 900	LADDER

NOTES:

- HAUNCHING MAY BE REQUIRED FOR PIPES OVER 450 DIA, REFER TO PIT SCHEDULE FOR SIZES OF SPECIFIC PITS. PITS WITH HAUNCHING IN TWO DIRECTIONS.
- PITS ARE TO BE MANUFACTURED UNDER QUALITY PROCEDURES AND ENGINEERED COMPUTATIONS WHICH COMPLY WITH THE AUST ROADS BRIDGE DESIGN CODE 1992 WHICH STATE:
  - COMBINED FACTORED LATERAL PRESSURE AT ANY POINT AT THE ULTIMATE LIMIT STAGE SHALL BE NOT LESS THAN 5kPa
  - ADEQUATE DRAINAGE SHALL BE PROVIDED TO PIT WALLS TO AVOID HYDROSTATIC PRESSURE
  - VERTICAL LOAD 210 kN APPLIED ANYWHERE ON PIT
  - MINIMUM REINFORCEMENT AREA SHALL BE 150 MM /M
  - CONCRETE SHALL COMPLY WITH SECTION 610 OF VICROADS SPECIFICATIONS
- REINFORCEMENT AND CONCRETE PLACEMENT AND INSTALLATION COMPLY WITH VICROADS 610, VIC PITS 7/92, THE RELEVANT AUSTRALIAN STANDARD SPECIFICATIONS AND STRUCTURAL DESIGNS.

# CITY OF BALLARAT

ALL DIMENSIONS ARE IN MILLIMETRES	
No.	AMENDMENTS

Approved by:

Date:

INSITU SIDE ENTRY PIT  
CONCRETE COVER-1.8m INLET



SCALE:  
NOT TO SCALE  
SHEET 2 OF 2  
DRAWING NO:  
SD-P2-2